

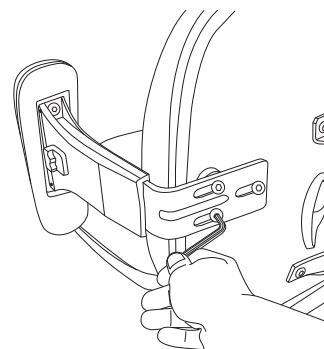
EDEN SPECTRUM CHAIR

DISASSEMBLY AND RECYCLING INSTRUCTIONS

EDEN

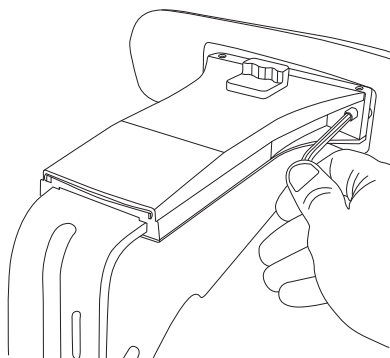


Eden Spectrum 3 with Arms



1

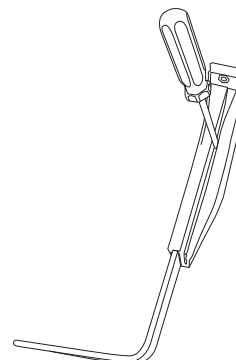
If your chair has arms: Using 5mm Allen Key remove 3x bolts attaching arm bracket to underside of seat. Repeat with other side.



2

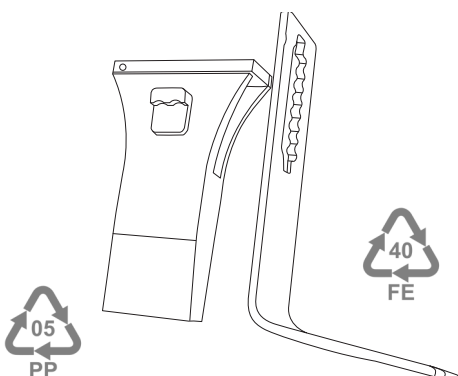
Using 5mm Allen Key remove 2 x bolts attaching soft arm pad to arm upright. Repeat with the other arm.

Dispose of arm pads.



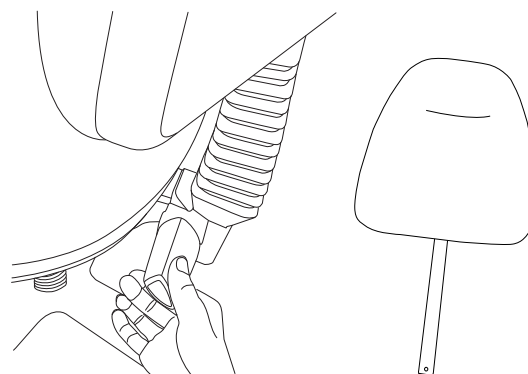
3

Using flat blade screwdriver separate plastic arm support from steel arm bracket.



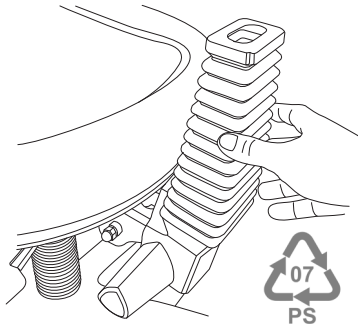
4

Recycle plastic arm support.
Recycle steel arm bracket.



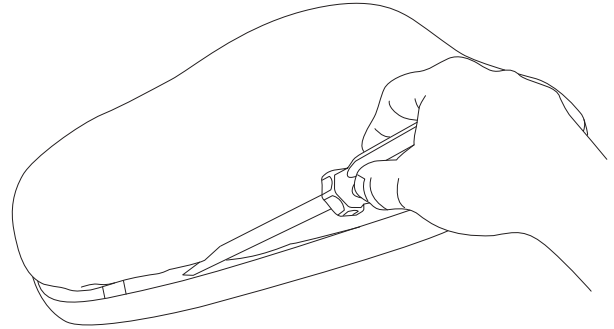
5

Loosen back clamp knob. To allow the backrest to lift upwards push button at bottom of back bar. Lift up until back bar disengages from concertina back bar cover.



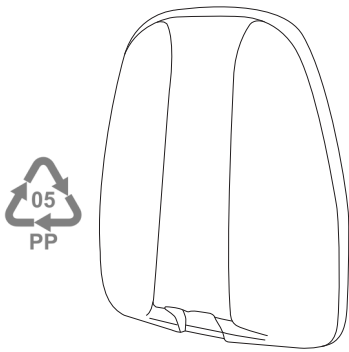
6

Remove concertina back bar cover.
Recycle back bar cover.



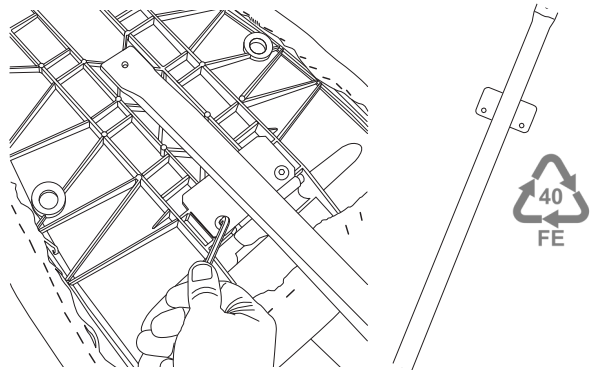
7

Separate plastic back outer from inner by levering apart with a large screwdriver or pry bar until the joining clips pop.



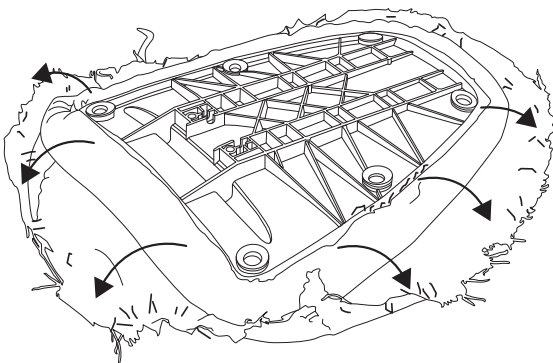
8

Recycle back outer.



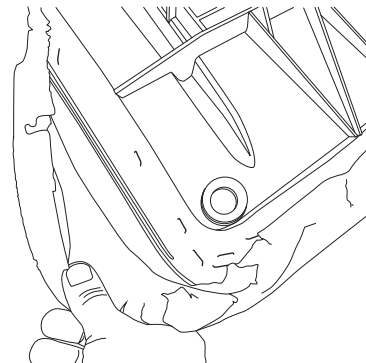
9

Using 5mm Allen Key remove 2x bolts attaching back bar to back inner.
Recycle steel back bar.



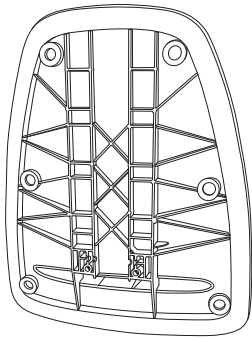
10

Using pliers or a staple remover pull out staples to remove fabric from foam. Pull fabric away from foam.
Dispose of fabric.



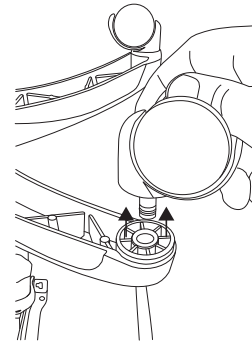
11

Pull foam away from staples; and entirely off the plastic back inner. Remove remaining staples from inner.
Dispose of foam.



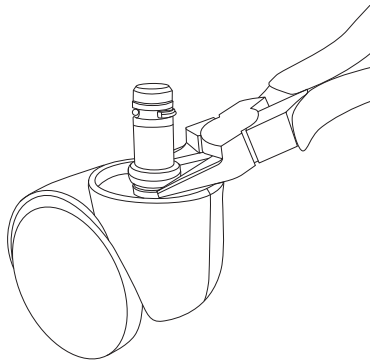
12

Recycle plastic back inner.



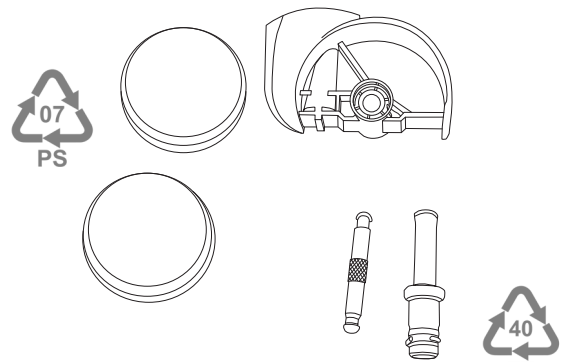
13

Pull castors out of 5-star base.



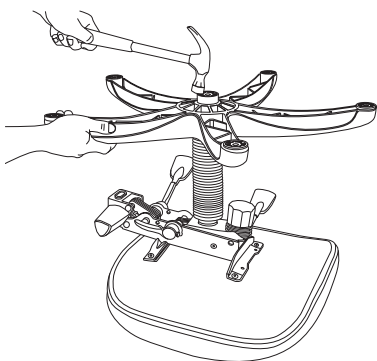
14

Pull out castor stem with pliers.
Pry off castor wheels with screwdriver.
Pull out castor axle with pliers.



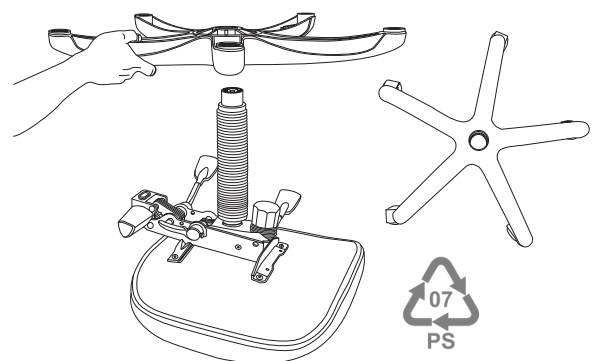
15

Recycle castor body and wheels.
Recycle castor axle and stem.



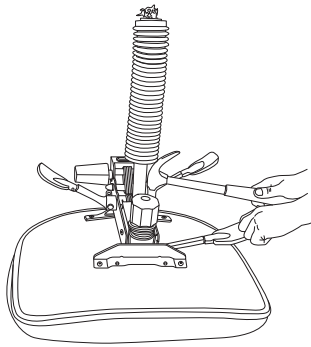
16

With a hammer firmly strike bottom outer rim of gaslift, avoiding center clip, until 5-star base separates from gaslift.



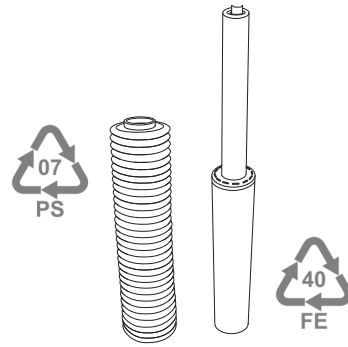
17

Recycle 5-star base.



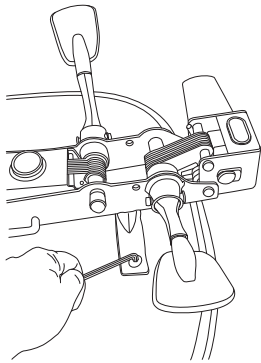
18

To remove the gaslift - depress the gaslift lever and strike the mechanism close to where the gaslift inserts. Pull the gaslift and concertina cover away from the mechanism.



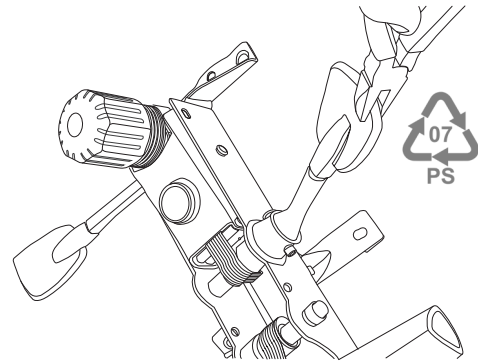
19

Recycle concertina gaslift cover.
Recycle gaslift.



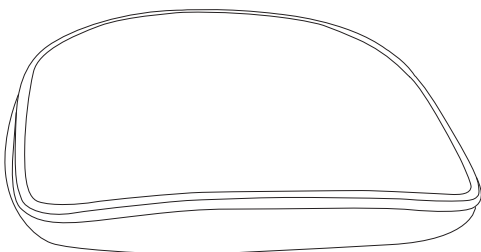
20

Using 5mm Allen Key remove 4x bolts attaching mechanism to seat.
Dispose of seat.



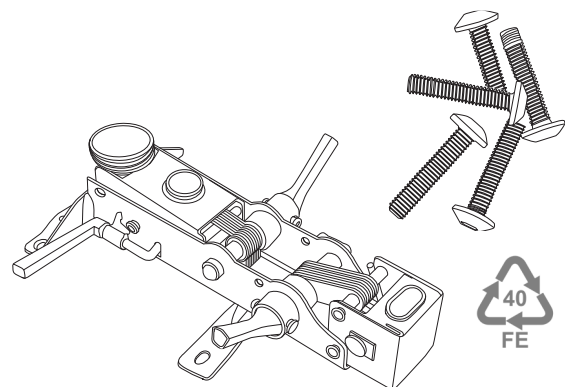
21

Using pliers remove plastic handle and knobs from mechanism.
Recycle mechanism plastics.



22

Dispose of seat.



23

Recycle mechanism.
Recycle screws.